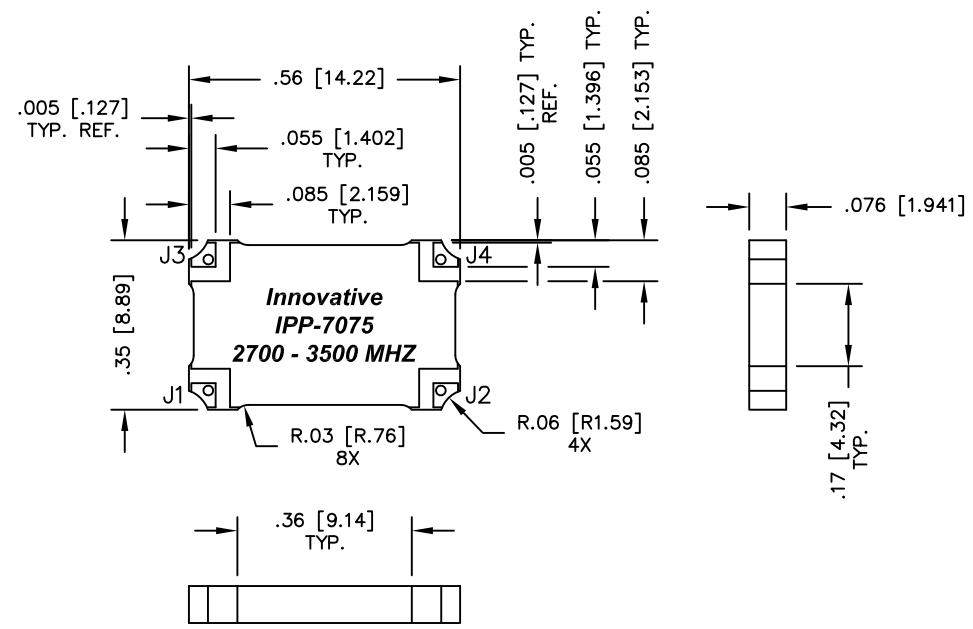


UNAUTHORIZED USE OF THIS
DRAWING IS STRICTLY PROHIBITED

DAR	REV	DESCRIPTION	APPVD	DATE
3015	A	INITIAL RELEASE	TJD	3-11



FINISH	
P/N	TYPE
IPP-7075	TIN/LEAD
IPP-7075RT	RoHS MATTE TIN
IPP-7075RG	RoHS NICKEL GOLD

- NOTES:**
- SEE SMD COUPLER APPLICATION NOTE FOR FURTHER INFORMATION.
 - PARTS WITH RoHS MATTE TIN AND RoHS NICKEL GOLD FINISHES ARE RoHS COMPLIANT.
 - AVAILABLE IN TAPE AND REEL. SEE SMD COUPLER APPLICATION NOTE FOR FURTHER INFORMATION.

ELECTRICAL SPECIFICATIONS

FREQUENCY: 2700 - 3500 MHz.
 INSERTION LOSS: <0.25 dB
 VSWR: <1.25:1
 ISOLATION: >19dB
 AMPLITUDE BALANCE: ±0.20 dB
 PHASE BALANCE: ±5°
 POWER: 200 WATT
 TEMPERATURE: -55°C TO 85°C

PORT CONFIGURATION				
INPUT	J1	J2	J3	J4
J1	---	ISOLATION	-3dB<0 DEG	-3dB<-90 DEG
J2	ISOLATION	---	-3dB<-90 DEG	-3dB<0 DEG
J3	-3dB<0 DEG	-3dB<-90 DEG	---	ISOLATION
J4	-3dB<-90 DEG	-3dB<0 DEG	ISOLATION	---

MATERIAL	DWN DG	DATE 3-11	Innovative Power Products			
FINISH	ENG TJD	DATE 3-11				
SEE FINISH CHART	MANUF	DATE	TITLE OUTLINE			
TOLERANCE	CAGE CODE: 437R2		SMD COUPLER, 90°, 2700 - 3500 MHz. 200W			
IN [MM]	SHEET 1	OF 1	SCALE 4:1	SIZE B	P/N IPP-7075*	REV. A
.XX ±.02 [.50] .XXX ±.010 [.254] ANG. ±1/2°						